

NOTE: DO NOT DISCARD the Parts List from the Instruction Bulletin. Place the Parts List in the appropriate place in the machine manual for future reference. Retaining the Parts List will make it easier to reorder individual parts and will save the cost of ordering an entire kit.

NOTE: Numbers in parenthesis () are reference numbers for parts listed in Bill of Materials.


Installation instructions for **kit number 9013366**

SYNOPSIS:

This kit contains the parts needed to install an access door latch kit on S30 / S30 XP / S30 X4 sweepers (serial numbers 006501 and above)
 Please follow step-by-step instructions.

SPECIAL TOOLS / CONSIDERATIONS: NONE

(Estimated time to complete: 5 - 10 minutes)



PROTECT THE ENVIRONMENT
 Please dispose of packaging materials, used machine components such as batteries and fluids in an environmentally safe way according to local waste disposal regulations.
 Always remember to recycle.

PREPARATION:

FOR SAFETY: Before leaving or servicing machine, stop on level surface, turn off machine, set parking brake, and remove key.

INSTALLATION:

1. Remove the plastic knob from the hopper door. Discard the plastic knob, M6 lock hex nut, and flat washer. (Fig. 1)

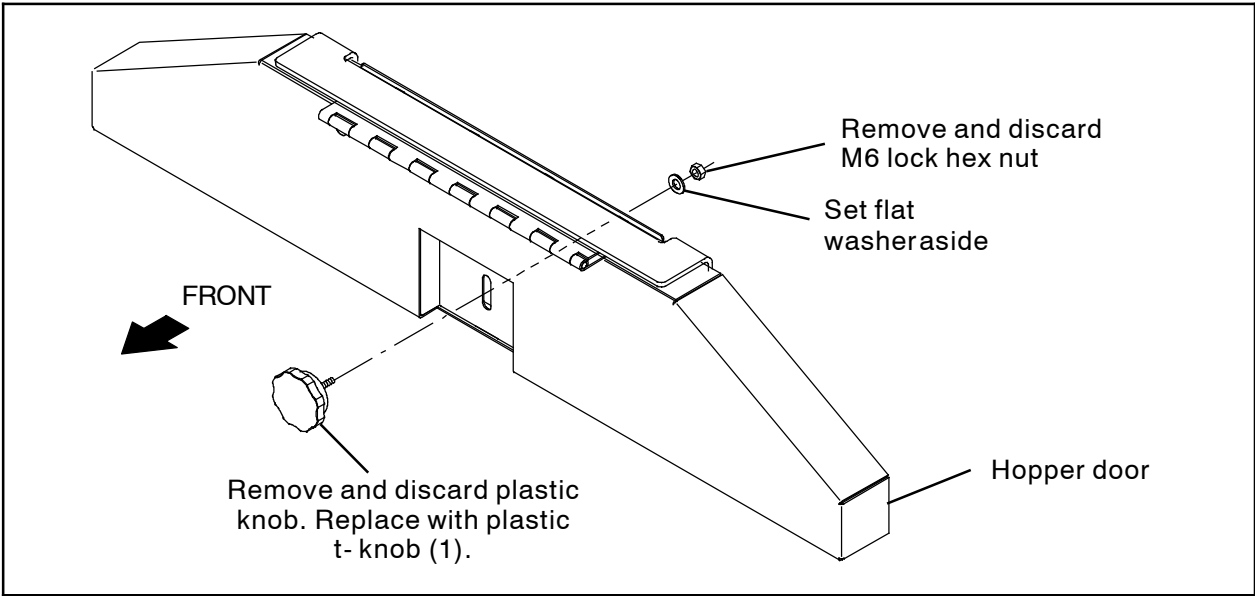


FIG. 1

2. Use a hex screw (3), flat washer (4), and saved flat washer to install the plastic t- knob (1) onto the hopper door. (Fig. 2)

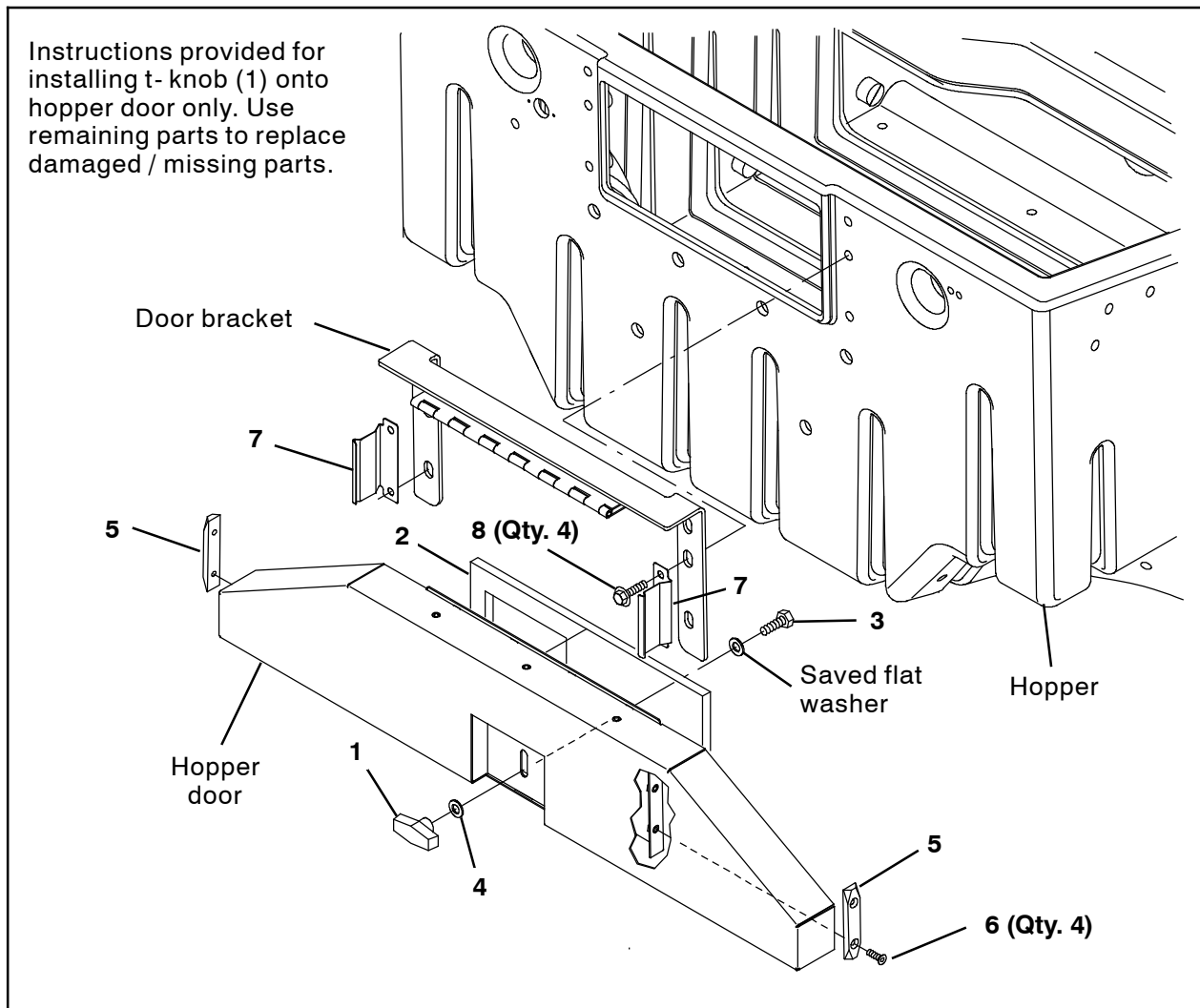


FIG. 2

Bill Of Materials For Latch Kit, Door, Access, CI [S30] - 9013366

Ref.	Tennant Part No.	Description	Qty.
1	04706	Knob, Tee, 0.38- 16, 2.5 X 1.0 1.1L, Plstc	1
2	1035660	Gasket, Ure, .50, 07.47W, 15.47L, Adh	1
3	21195	Screw, Hex, .38- 16 X 0.75, G5	1
4	32492	Washer, Flat, 0.38, Std	1
5	1213971	Block, Nylon	2
6	09062	Screw, Flt, Soc, M6 X 1.00 X 16, 10.9	4
7	1213604	Latch, Door	2
8	1020341	Screw, Hex, M8 X 1.25 X 20, SS, SEMS	4

TENNANT COMPANY
P. O. Box 1452
Minneapolis, MN 55440-1452